

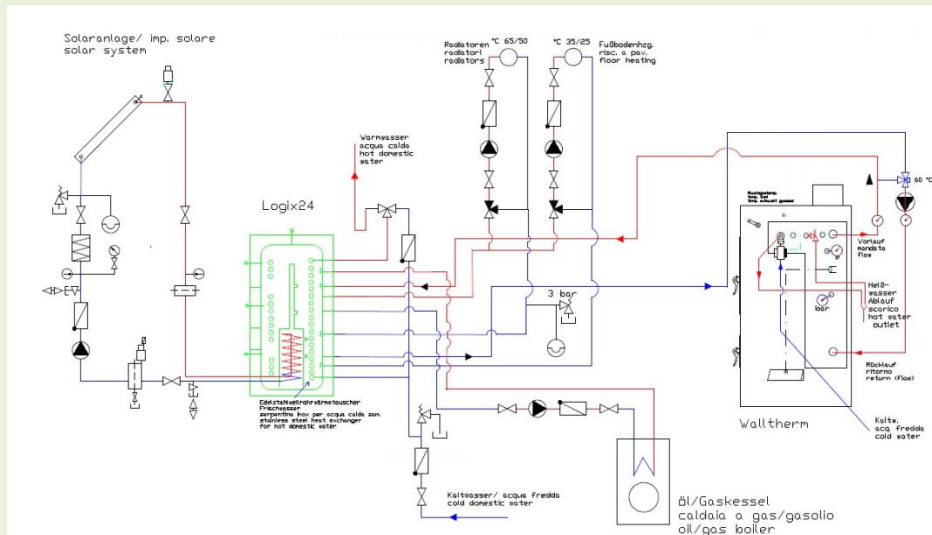
Power Strength & Energy Solutions Ltd.

Combining wood and sun in a renovation project in Dartmouth

This system was designed and installed by PSES.

The system

Walltherm wood stove, 4 * KA88 flat plate collector and 1 * LOGIX24-1000 combi tank



The backup heat source is provided by two electric heating elements with 4.5 kW each instead of oil or gas.

The heating elements kick in when tank temperature drops under a certain temperature limit. This is controlled by the solar controller.





The stove gets its air supply through the bottom supplied from the basement.

The in-floor system and baseboard radiators are connected to the storage tank

The new chimney is mounted at the outside wall.



Installed units
in technical room:

LOGIX24-1000-liter
combi tank

FlowCON FA

K36E

The system is working for domestic hot water and for space heating
by in-floor radiant heat and baseboard radiators.